

1400 LT DUAL TEMPERATURE FULL AND HALF DOORS

PNC	AVV	Model	Ref.	Page	Brand
110768	21	Dual temperature 1400lt -2/+10 and -24/-15 °C full door	A	2,5,6,7	ZANUSSI
728429	23	Dual temperature 1400lt -2/+10 and -24/-15 °C full door	B	2,5,6,7	ELECTROLUX
728480	20	Dual temperature 1400lt -2/+10 and -24/-15 °C full door	C	2,5,6,7	ALPENINOX
110767	18	Dual temperature 1400lt -2/+10 and -2/+10 °C full door	D	2,5,7	ZANUSSI
110769	18	Dual temperature 1400lt -2/+10 and -6 /+6 °C three doors	E	3,4,5,7	ZANUSSI
110770	20	Dual temperature 1400lt -2/+10 and -24 /-15 °C three doors	F	3,5,6,7	ZANUSSI
728428	21	Dual temperature 1400lt -2/+10 and -2/+10 °C full door	G	2,5,7	ELECTROLUX
728430	21	Dual temperature 1400lt -2/+10 and -6 /+6 °C three doors	H	3,4,5,7	ELECTROLUX
728431	10	Dual temperature 1400lt -2/+10 and -24 /-15 °C three doors	I	3,5,6,7	ELECTROLUX
728479	18	Dual temperature 1400lt -2/+10 and -2/+10 °C full door	L	2,5,7	ALPENINOX
728481	18	Dual temperature 1400lt -2/+10 and -6 /+6 °C three doors	M	3,4,5,7	ALPENINOX
728482	08	Dual temperature 1400lt -2/+10 and -24 /-15 °C three doors	N	3,5,6,7	ALPENINOX



last Up date

probe cell and evaporator

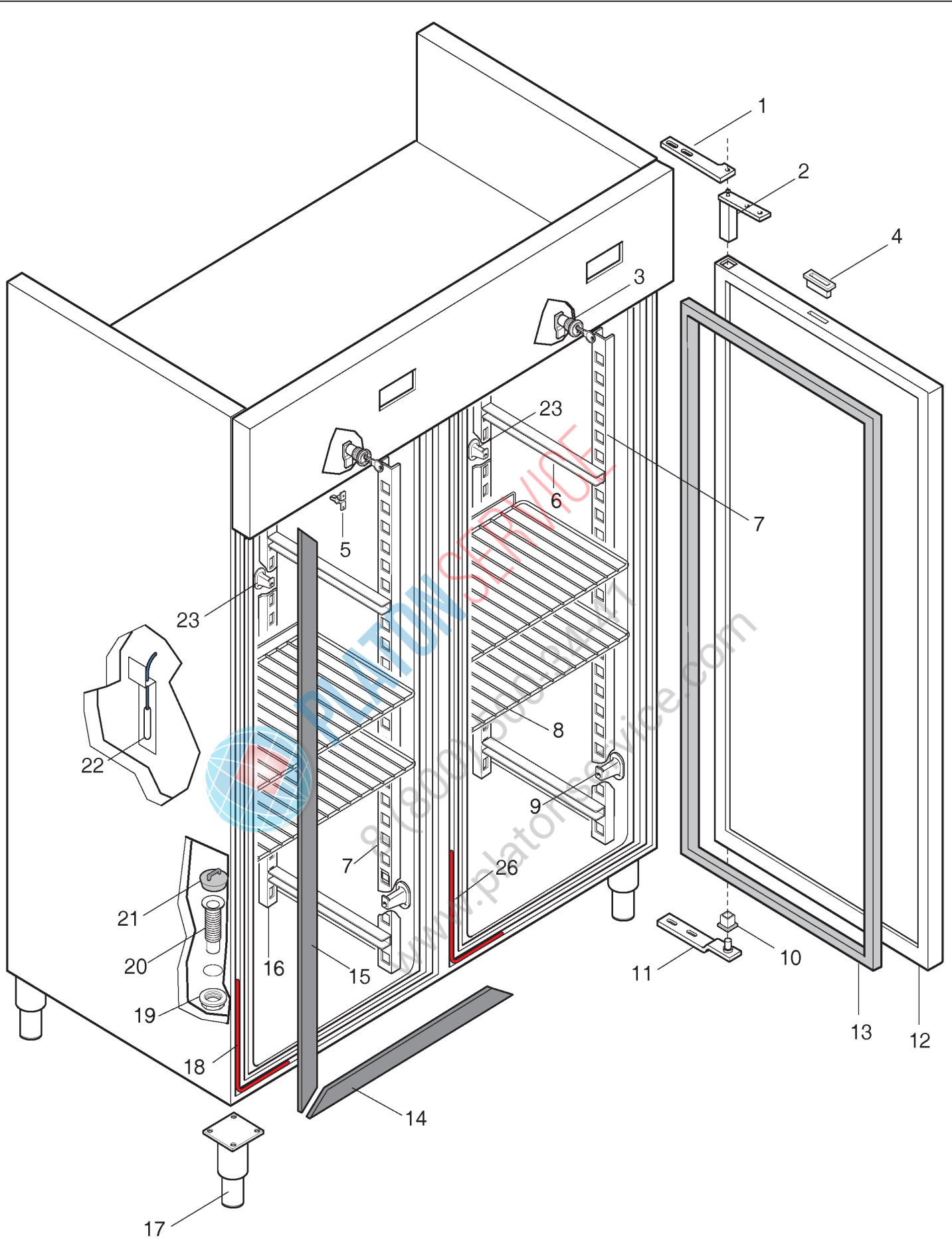
Pag.	Index	Indice
2	Cabinet and door	Armadio e porta
3	Cabinet and door half	Armadio e porta (1/2)
4	Cooling unit (-6/+6°C)	Gruppo refrigerante (-6/+6°C)
5	Cooling unit (-2 /+10°C)	Gruppo refrigerante (-2/+10°C)
6	Cooling unit (-24/-15°C)	Gruppo refrigerante (-24/-15°C)
7	Control panel	Pannello comandi
8-9-10-11	Spare parts list	Lista ricambi

Brand/Marchio: Z - E - A

Factory code: 07

Da Ser. Nr. / From ser. nr.: **UNTIL 939000..**

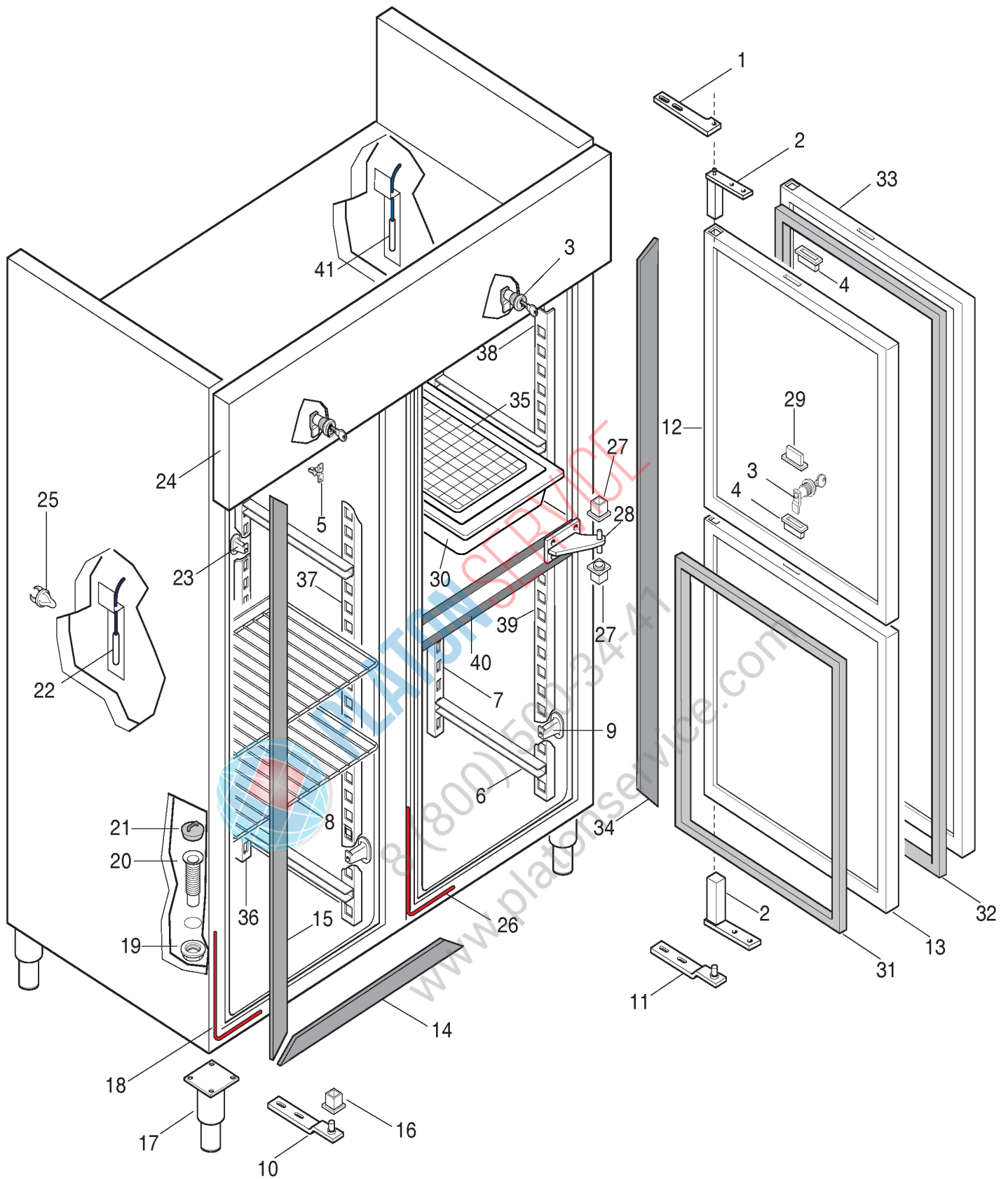
Ed. **10-03**



700+700 L - DUAL TEMPERATURE CABINET
FRIGORIFERI A DUE TEMPERATURE DA 700+700 LT

Da Ser. Nr. / From ser. nr.:.....

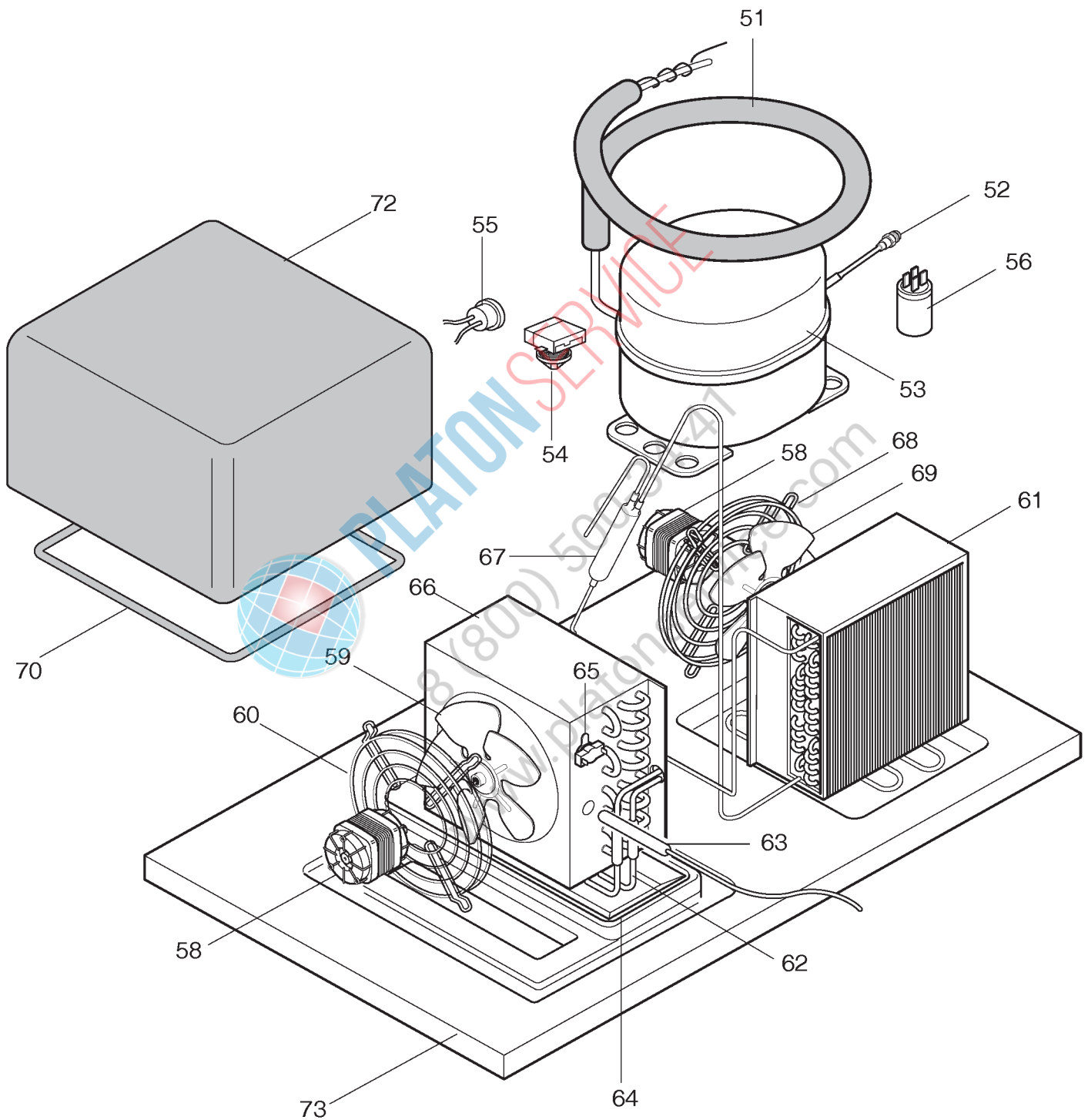
* COMPONENT AVAILABLE UPON REQUEST IN SPLC
 * COMPONENTI DISPONIBILI A RICHIESTA PRESSO LO SPLC



700+700 L - DUAL TEMPERATURE CABINET
 FRIGORIFERI A DUE TEMPERATURE DA 650+650 LT

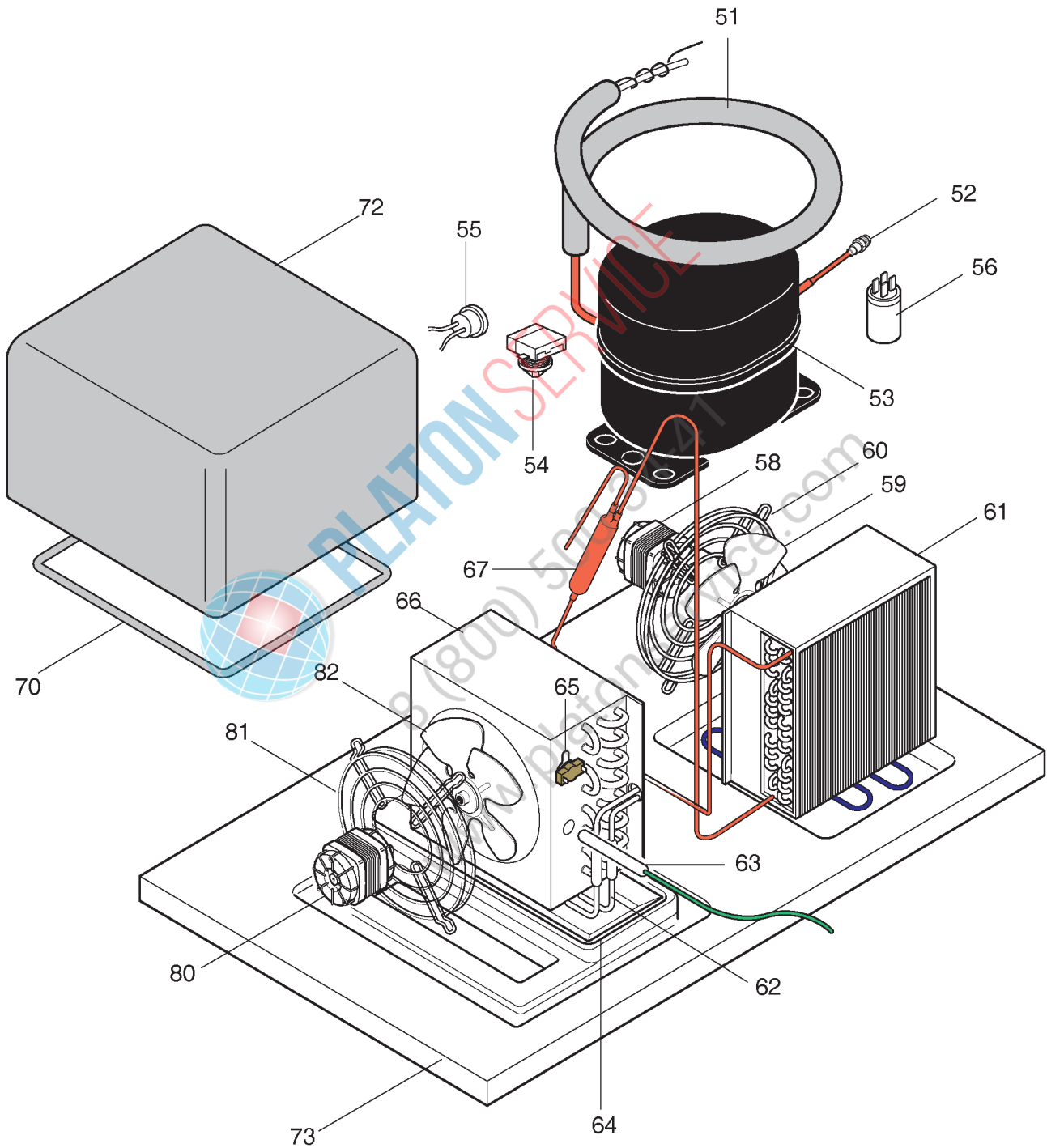
Da Ser. Nr. / From ser. nr.: ...

Cooling unit assembly -6/+6°C
Gruppo refrigerante -6/+6°C



Da Ser. Nr. / From ser. nr.:

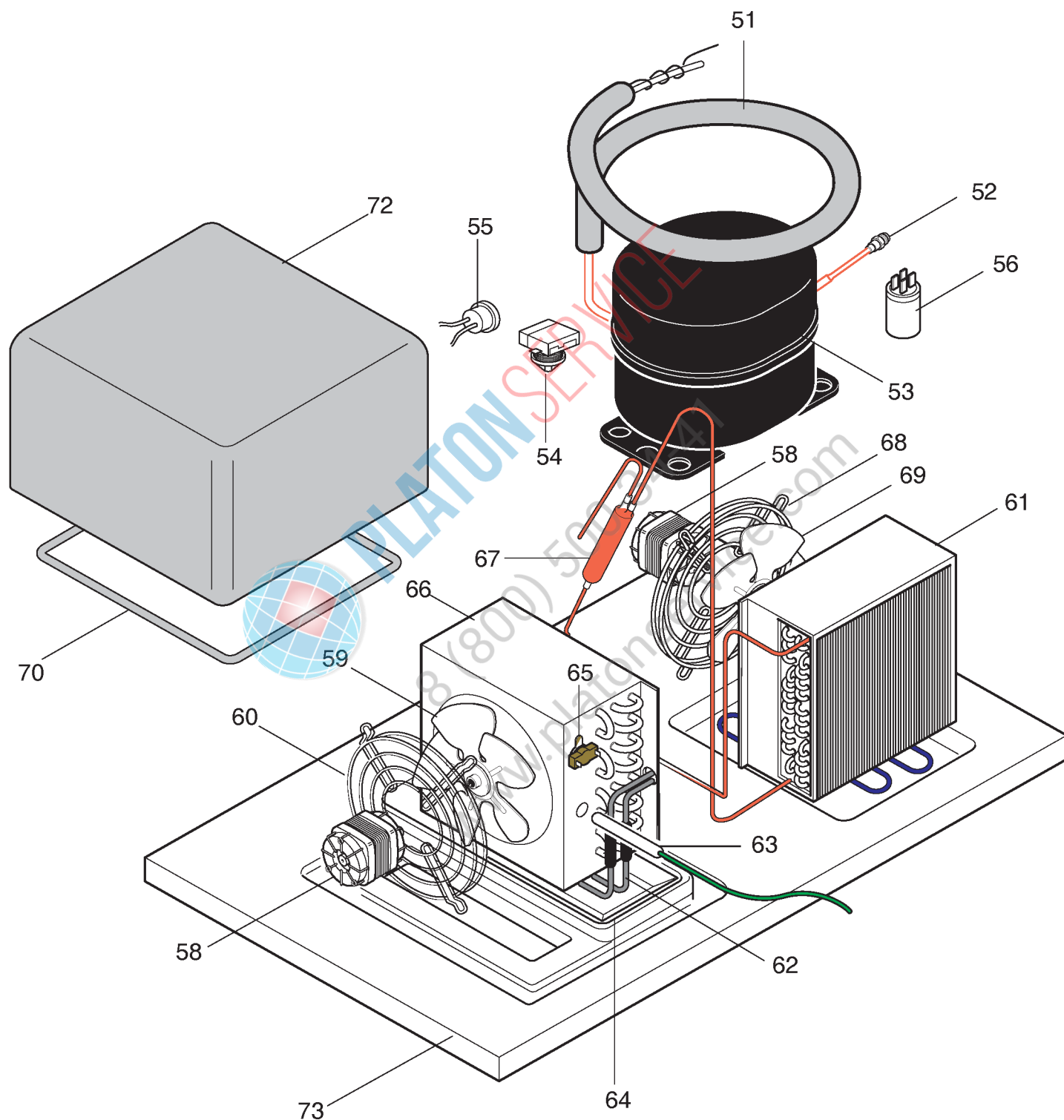
Cooling unit assembly -2 +10 °C
 Gruppo refrigerante -2 +10 °C



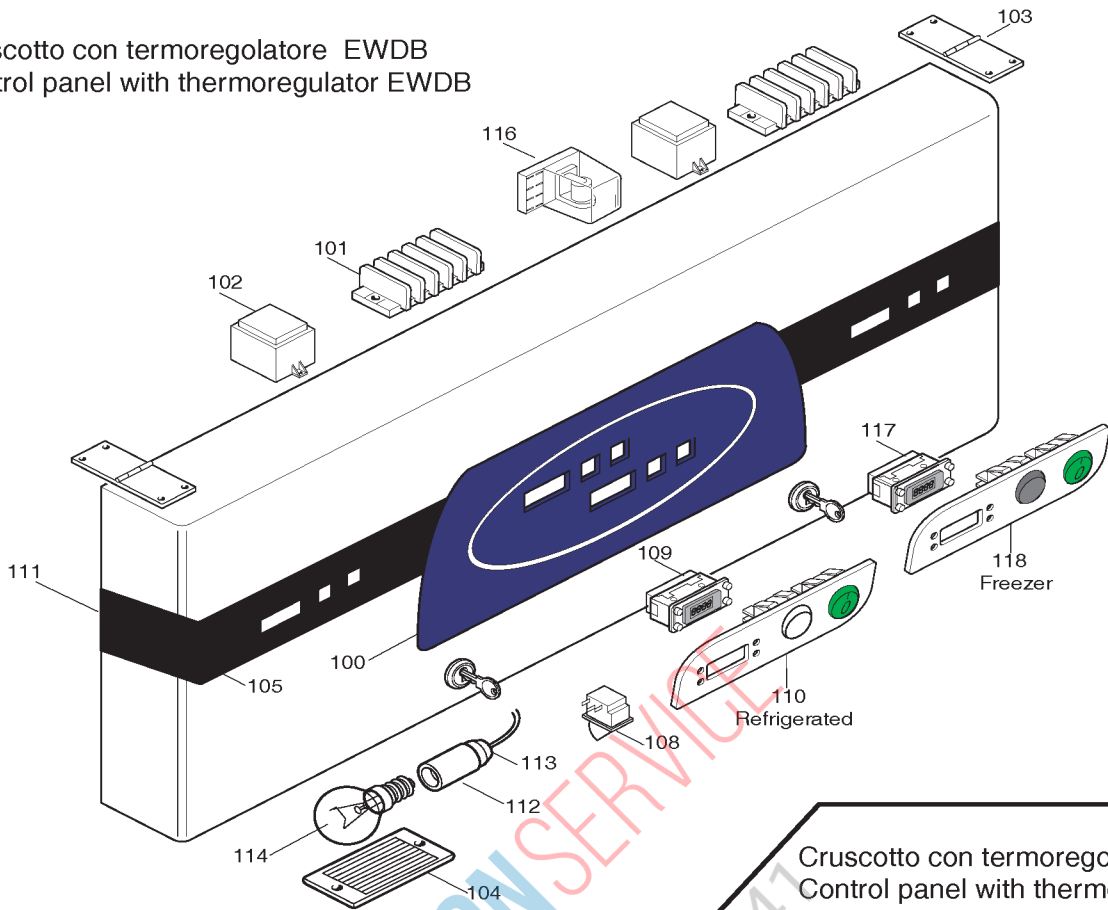
Da Ser. Nr. / From ser. nr.: ..

Cooling unit assembly -15/-24°C

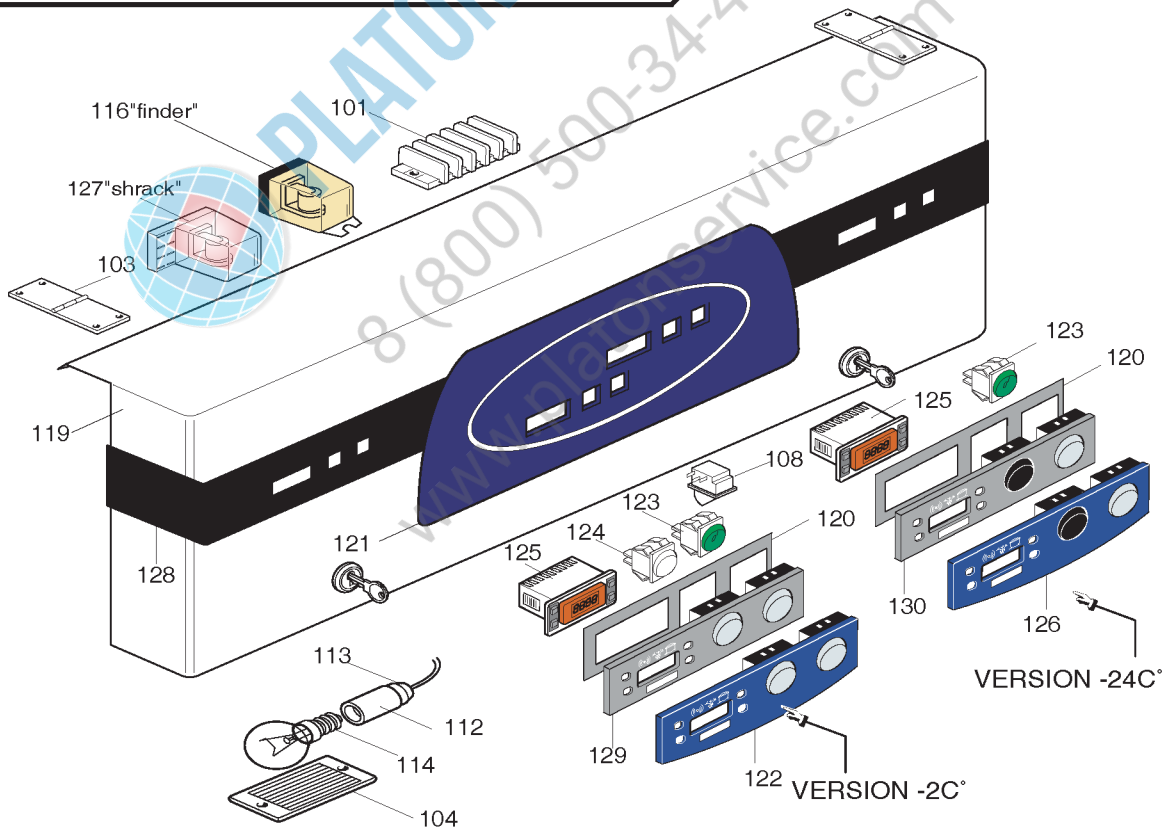
Gruppo refrigerante -15/-24°C



Cruscotto con termoregolatore EWDB
Control panel with thermoregulator EWDB



Cruscotto con termoregolatore ID
Control panel with thermoregulator ID



CABINET 1400 LT DUAL TEMPERATURE

Digital Control IR33 Heavy Duty Range -2/-6° +10,-15 -24 C°

Code	Avv. Model	Description	Ref Page	Brand
728428	22/24 RD14DD2F	2-DOOR DIGIT.REFRIG/REFRIG 650+650 LT	a 2,4,6	Electrolux
728429	24/26 RD14DFD2	2-DOOR DIGIT.REFRIG/FREEZER 650+650 LT	b 2,4,5,6	Electrolux
728430	20/22 RH14DD3F	3-DOOR DIGIT.REFRIG/REFRIG 1000+300 LT	c 3,4,6	Electrolux



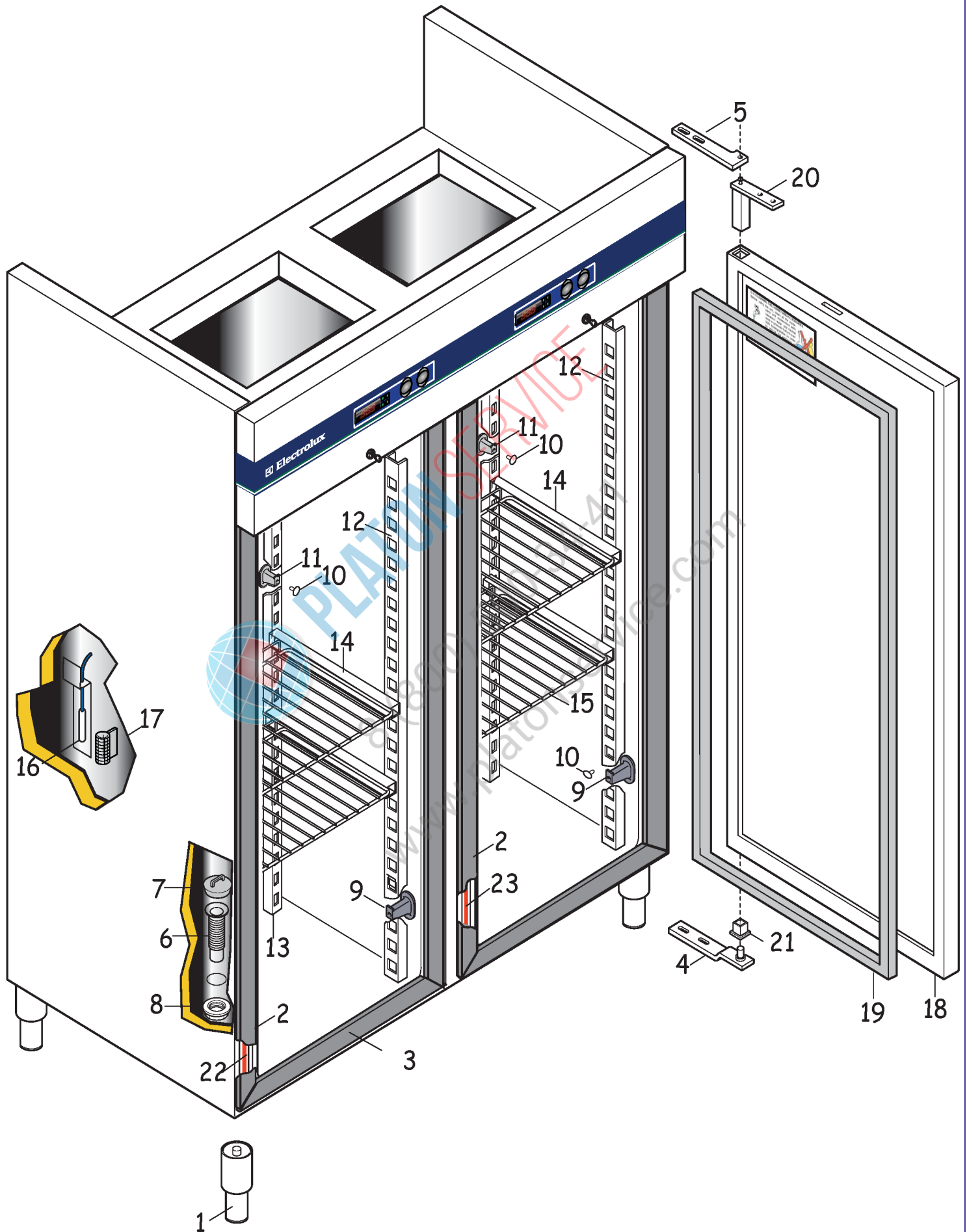
PLATON SERVICE
8 (800) 500-34-41
www.platonservice.com

Note:

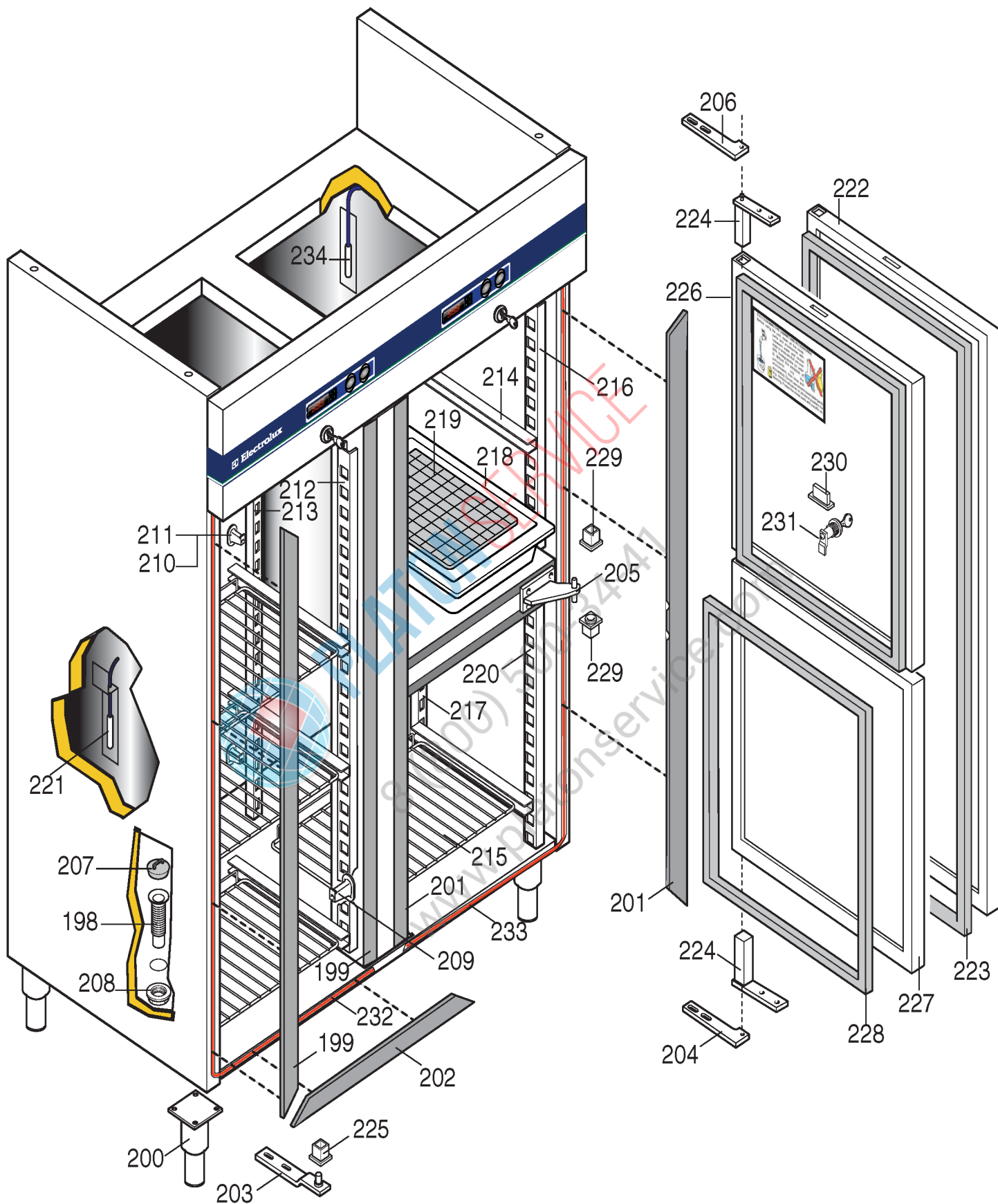
this document is available from serial **N°940000..**

Pag.	Index
2	Cabinet and door
3	Cabinet and 1/2door
4	Cooling unit assembly -2/-6+10C°
5	Cooling unit assembly -15-24C°
6	Control panel
7,8,9,10	Spare parts list

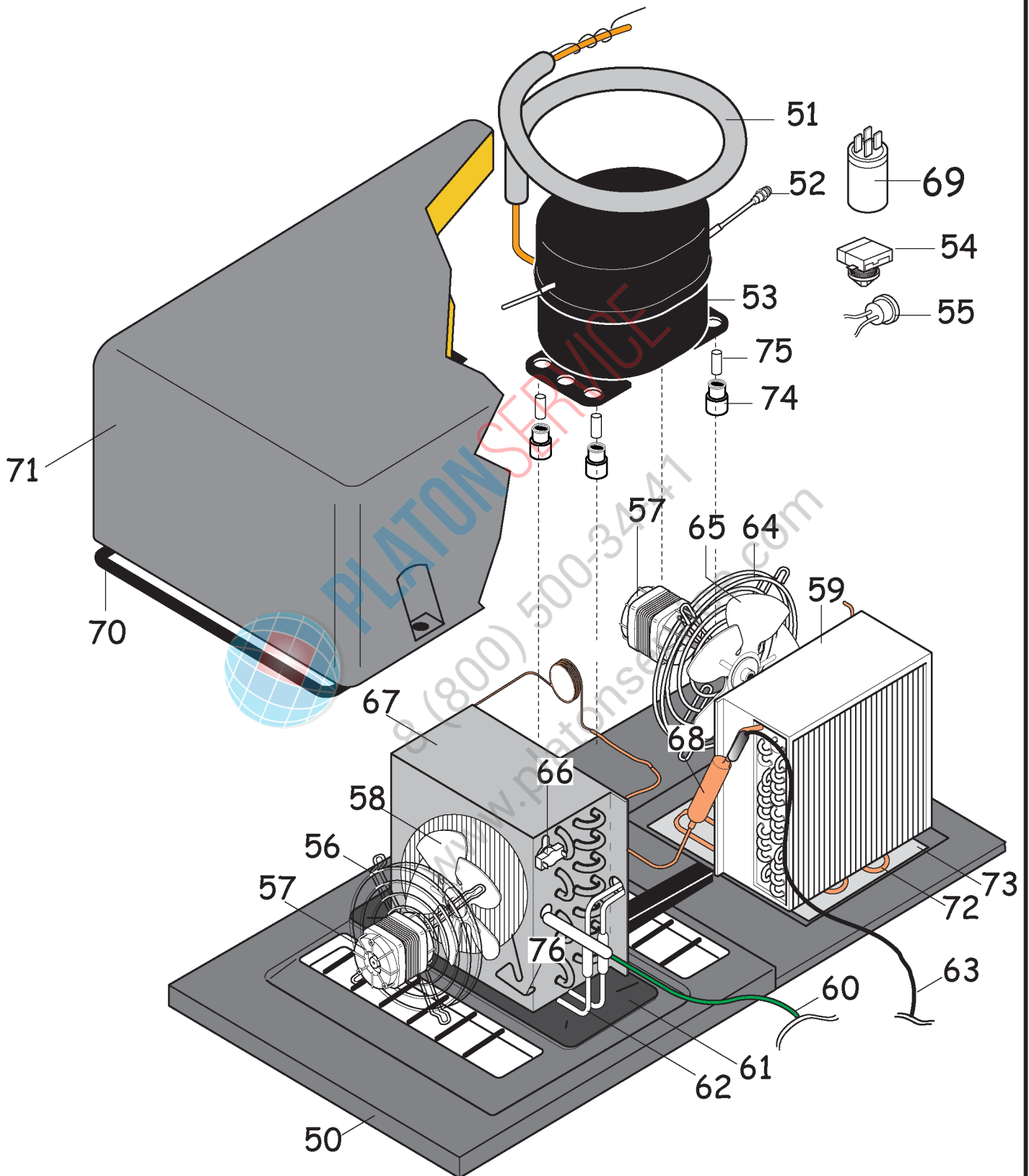
Indice
Armadio e porta
Armadio e porta e mezza porta
Gruppo refrigerante -2/-6+10C°
Gruppo refrigerante -15-24C°
Pannello comandi
Listaricambi



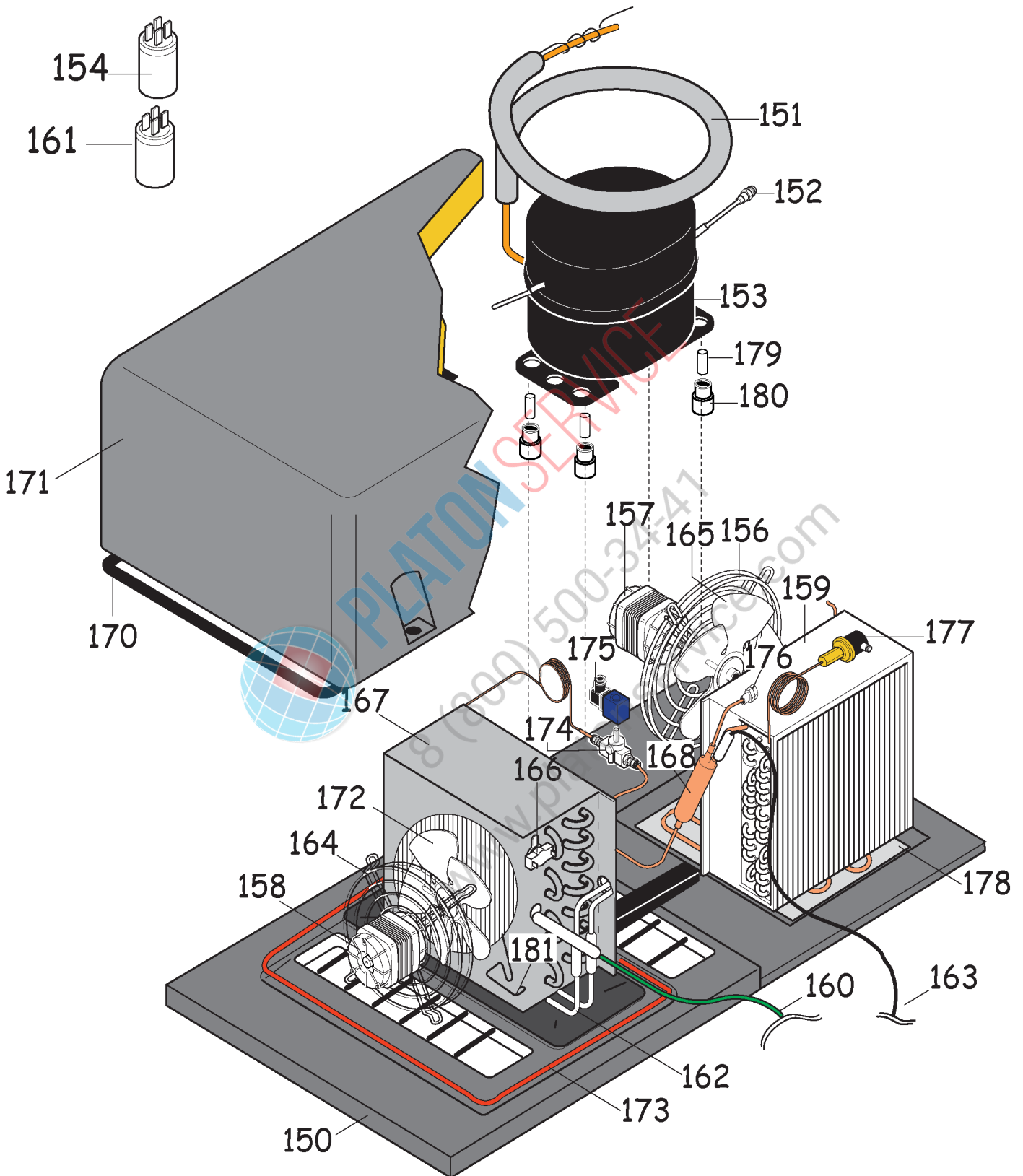
* COMPONENT AVAILABLE UPON REQUEST TO SPLC
 * COMPONENTI DISPONIBILI A RICHIESTA PRESSO LO SPLC

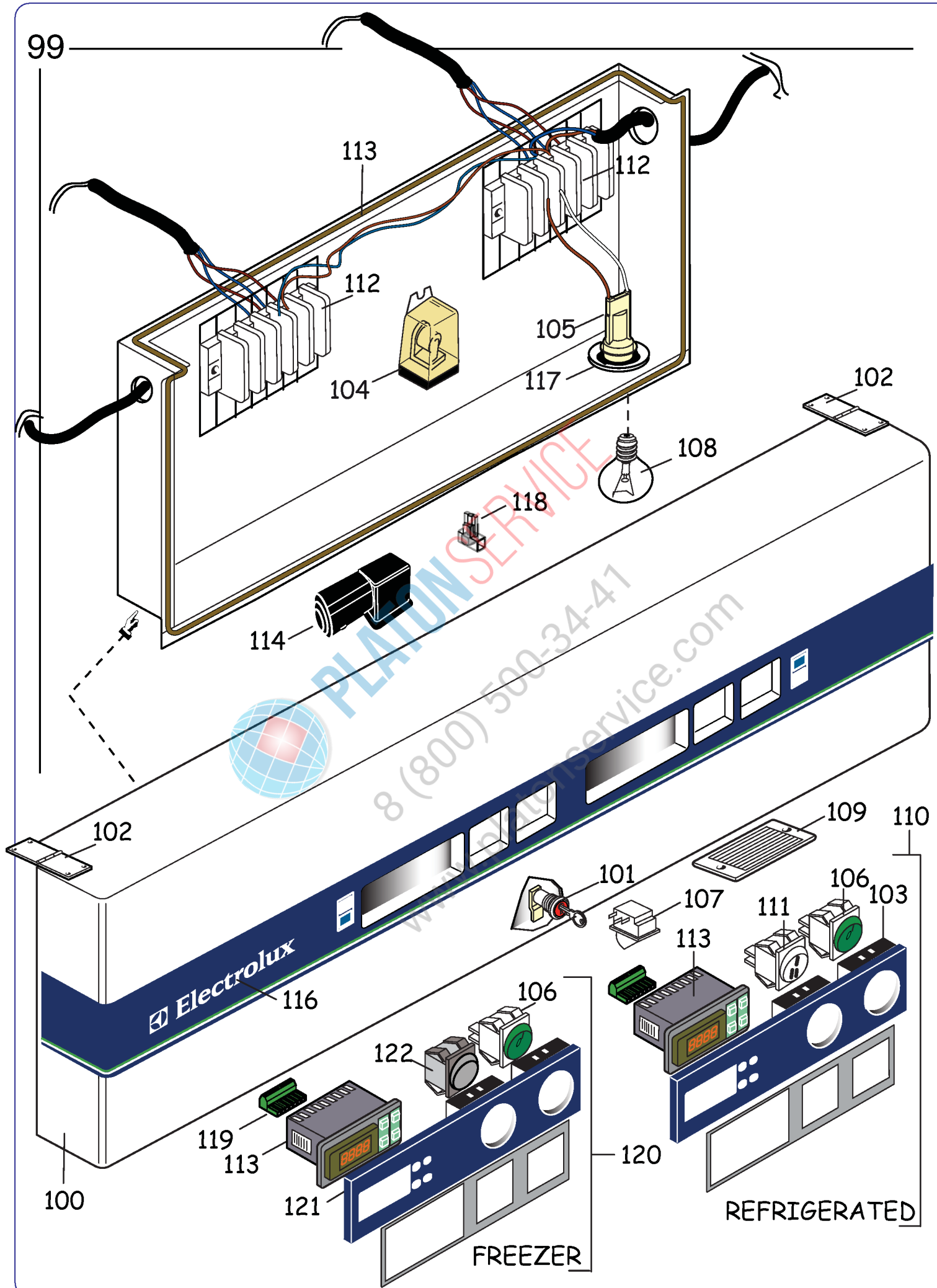


Cooling unit assembly -2 +10 °C



Cooling unit assembly -15 -24 °C





* COMPONENT AVAILABLE UPON REQUEST TO SPLC
 * COMPONENTI DISPONIBILI A RICHIESTA PRESSO LO SPLC